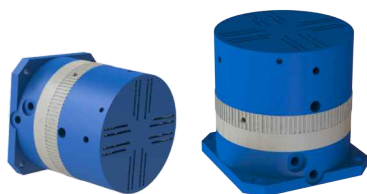


Circular Needle Gripper MNG-ST



Circular Needle Gripper MNG-ST

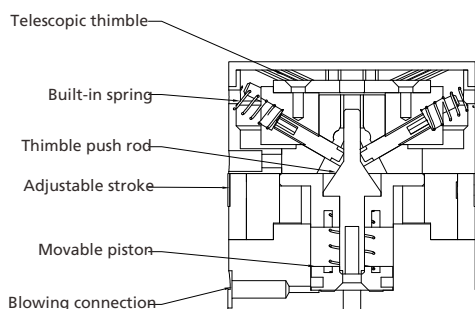
Circular Needle Gripper MNG-ST



Introduction and application

- ◆ Smooth stroke setting: you can infinitely adjust the stroke suitable for your application with the adjustment button;
- ◆ Flat structure: the compact design saves installation space.

Structure



- ◆ Robust aluminum shell
- ◆ The piston ejector rod pushes the ejector pin
- ◆ The stroke can be freely adjusted within the range
- ◆ 40-pin structure with diameter of 0.63mm
- ◆ The insertion angle is 25 degrees

Technical parameter of Circular Needle Gripper MNG-ST

Type	Minimum adjustable stroke of needle [mm]	Maximum adjustable stroke of needle [mm]	Number of needles	Needle diameter [mm]	Contraction & extension time [s]	Repeated positioning +/- [mm]	Minimum operating pressure [bar]	Maximum operating pressure [bar]	Gas consumption volume per cycle [cm ³]	Weight [kg]
MNG-ST	0	2	40	0.7	0.03	0.05	4	8	3	0.49

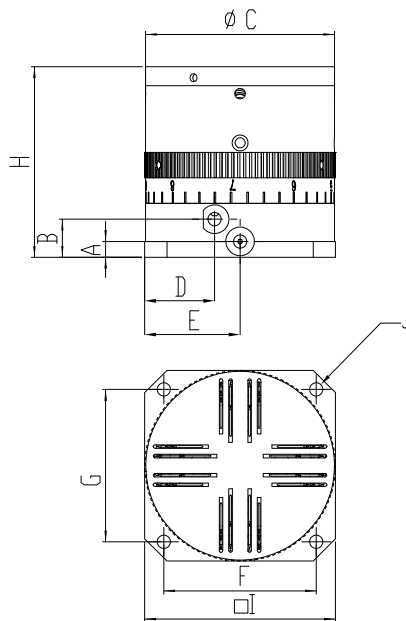
Circular Needle Gripper MNG-ST

Circular Needle Gripper MNG-ST



Design parameter of Circular Needle Gripper MNG-ST

MNG-ST



Type	Size										
	A	B	C	D	E	F	G	H	I	J	
MNG-ST	5	12	59.5	22	30	48	48	60	60	4.5	