

Composite suction cup

Composite suction cup MD-MINI

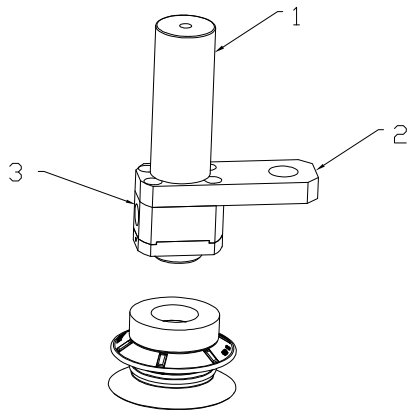
Composite suction cup MD-MINI



Introduction and application

- ◆ Handling composite textiles and non-rigid and flexible workpieces
- ◆ Electronic components, anti-static

System design Composite suction cup MD-MINI



Structure

- ◆ (1) The silencer
- ◆ (2) Lateral installation
- ◆ (3) The compressed air inlet

Ordering data of composite suction cup MD-MINI

Type	Ordering data	Type	Ordering data
MD-MINI-20 CUP	90.13.01.00058	MD-MINI-40 CUP	90.13.01.00060
MD-MINI-30 CUP	90.13.01.00059	MD-MINI-50 CUP	90.13.01.00061

Technical parameters of composite suction cup MD-MINI

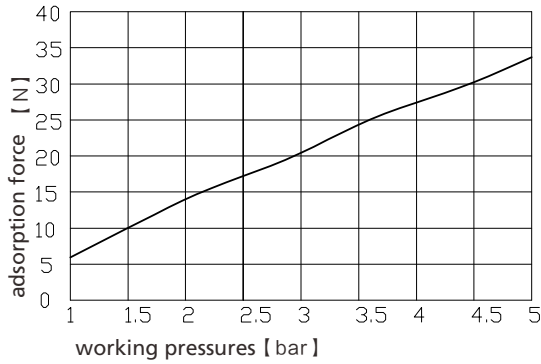
Type	Suction capacity [l/min]	air consumption [l/min]	Working pressure [bar]	working temperature [°C]	Recommended hose inner diameter [mm]
MD-MINI-20 CUP	270...650	60...200	1.0...5.0	5...75	4
MD-MINI-30 CUP	270...650	60...200	1.0...5.0	5...75	4
MD-MINI-40 CUP	270...650	60...200	1.0...5.0	5...75	4
MD-MINI-50 CUP	270...650	60...200	1.0...5.0	5...75	4

Composite suction cup

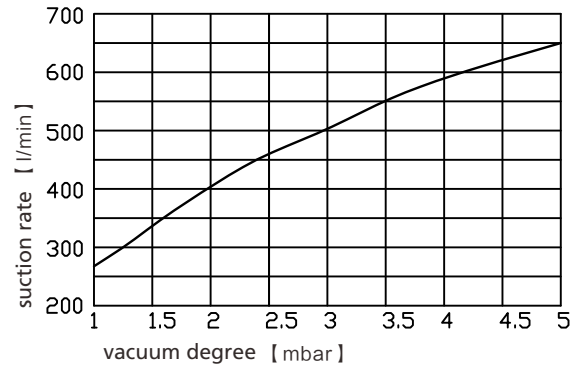
Composite suction cup MD-MINI

Performance parameters of composite suction cup MD-MINI

The adsorption force under different working pressures

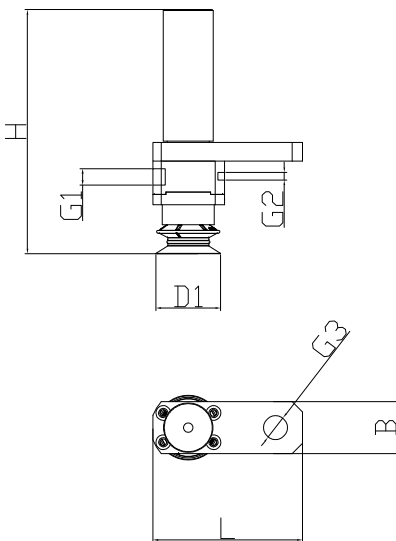


The suction rate under different working pressures



Design parameters of composite suction cup MD-MINI

MD-MINI



Type	Size [mm]							
	H	D	L	B	G1	G2	G3	
MD-MINI-20 CUP	114	20	72	25	G1/8	M5	G1/4	
MD-MINI-30 CUP	117.5	30	72	25	G1/8	M5	G1/4	
MD-MINI-40 CUP	121.5	40	72	25	G1/8	M5	G1/4	
MD-MINI-50 CUP	126	50	72	25	G1/8	M5	G1/4	